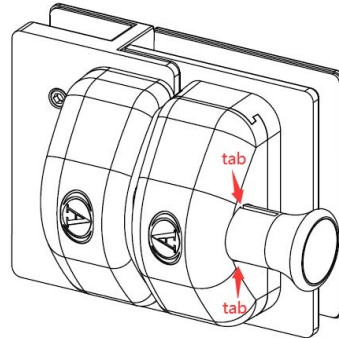


# Product Safety Recall

## Glass Pool Fence Latch



The product was available from glass fencing retailers and installers between 1 August 2021 and 3 March 2022

**DESCRIPTION:** Polymer plastic glass gate latch part with 'A' logo and guide tabs

SLP2011 - 180° Glass to Glass Latch

SLP2012 - Glass to Wall Latch

SLP2013 - 90° Outswing Glass to Glass Latch

SLP2014 - 90° Inswing Glass to Glass Latch

SLP2015 - Glass to Round Post Latch

SLP2007 - 135° Glass to Glass Latch

**DEFECT:** The gate latch guide tabs may break, stopping the engagement pin from retracting and connecting securely with the magnetic keeper. This will result in the gate not closing properly.

**HAZARD:** If the gate latch is not closed correctly and the gate remains unlatched, it may not prevent unsupervised access to the pool or spa area posing a risk of drowning.

**WHAT TO DO:** Consumers should ensure the gate is secured until a replacement latch has been installed.

Consumers should contact Aristo Glass Products Pty Ltd on 08 9418 8914 or email [admin@aristogroup.com.au](mailto:admin@aristogroup.com.au) for a replacement latch.

**See [productsafety.gov.au](https://productsafety.gov.au) for  
Australian product recall information**